



HR series
HR 1234W

12V 34W



Valve Regulated Lead Acid Battery

Maintenance-Free Sealed Lead Acid Battery.

Absorbent Glass Mat (AGM) technology for efficient gas recombination of up to 99%.

Design for Standby Power Applications

【Design Life】

Up to 5 Years in Standby Service at 25°C
Eurobat (20°C) : 3-5 years, Standard Commercial

【Operating Temperature Range】

Nominal Operating Temperature : 25°C (77°F)
Discharge : -15°C ~ 50°C (5°F~122°F)
Charge: -15°C ~ 40°C (5°F~104°F)
Storage: -15°C ~ 40°C (5°F~104°F)

【Float Charging Voltage】

13.5 ~ 13.8 VDC/Unit at 25°C (77°F)

【Equalization Charging Voltage】

14.4 ~ 15.0 VDC/Unit at 25°C (77°F)

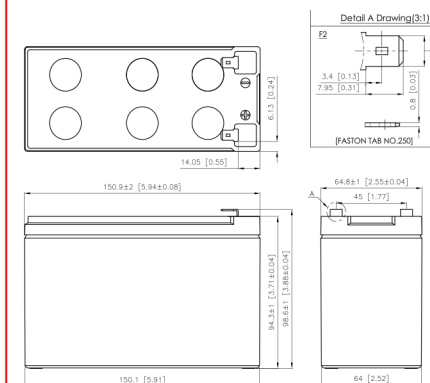
【Self Discharge】

Less than 10% after 90 days, can be stored up to 6 months at 25°C (77°F);
Fully recharging is required before usage, and charged sooner if stored at higher temperature than 25°C (77°F).

Specification

Design according with IEC 61056-1/2:2012

Nominal Voltage	12V (6 cells per unit)		
Nominal Capacity	34W @15min-rate to 1.67V per cell @25°C (77°F)		
Weight	Approx. 2.50 Kg (5.51 lbs)		
Maximum Discharge Current	130A (5sec)		
Internal Resistance	Approx. 19.0 mΩ		
Short Circuit Current	349A		
Maximum Charge Current	3.4A		
Terminal types	F2 -Faston Tab250		
Terminal breaking Torque	--		
Container Material	ABS (UL 94-HB) & Flame Retardant (94-V0) available upon request		
Dimensions	Length (L)	150.9±2.0 mm	5.94±0.08 inch
	Width (W)	64.8±1.0 mm	2.55±0.04 inch
	Container Height (h)	94.3±1.0 mm	3.71±0.04 inch
	Overall Height (H)	98.6±1.0 mm	3.88±0.04 inch



Constant Current Discharge Characteristics Unit: A (25°C, 77°F)

F.V/Time	2MIN	4MIN	5MIN	6MIN	8MIN	10MIN	15MIN	20MIN	30MIN	45MIN	60MIN	90MIN
1.60V	74.0	50.0	42.2	36.8	29.6	24.9	18.0	14.2	10.3	7.36	5.84	4.21
1.67V	67.3	47.5	40.7	35.8	29.0	24.5	17.8	14.1	10.2	7.34	5.82	4.20
1.70V	64.1	45.9	39.7	35.2	28.6	24.2	17.7	14.0	10.1	7.33	5.81	4.19
1.75V	58.3	42.8	37.5	33.6	27.6	23.5	17.4	13.9	10.0	7.27	5.77	4.17
1.80V	52.6	39.1	34.7	31.2	26.0	22.4	16.8	13.5	9.83	7.12	5.67	4.11
1.85V	46.2	35.4	31.2	28.2	23.8	20.6	15.7	12.7	9.38	6.83	5.45	3.96

Constant Power Discharge Characteristics Unit: W (25°C, 77°F)

F.V/Time	2MIN	4MIN	5MIN	6MIN	8MIN	10MIN	15MIN	20MIN	30MIN	45MIN	60MIN	90MIN
1.60V	737	518	450	399	328	280	207	165	120	86.7	69.0	50.1
1.67V	688	502	438	391	324	277	206	164	119	86.5	68.9	50.0
1.70V	677	492	431	386	320	275	205	163	118	86.3	68.8	49.9
1.75V	633	466	413	372	312	268	202	161	117	85.7	68.4	49.8
1.80V	584	434	388	351	298	257	196	157	116	84.3	67.4	49.2
1.85V	519	397	355	324	276	240	185	150	111	81.3	65.2	47.8

Guang dong Xi shibi Power Co ., Ltd.

Tel: +86 20 34628335

Fax: 626-453-0409

E-mail: csbusa@battery.com

BATTERY
CSB USA
<http://www.battery-csb.com>