



MSJ series
MSJ 260

2V 260Ah



Valve Regulated Lead Acid Battery

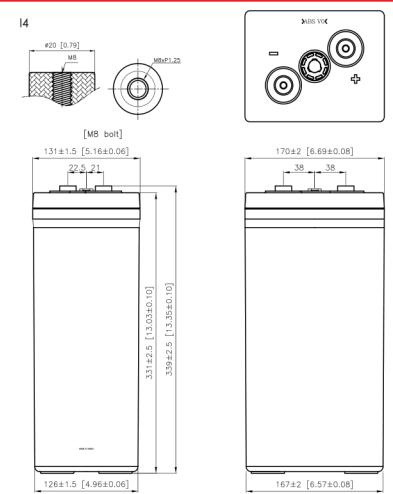
Maintenance-Free Sealed Lead Acid Battery.
Absorbent Glass Mat (AGM) technology for efficient gas recombination of up to 99%.

Design for Standby Power Applications

<p>【 Design Life 】 Up to 20 Years in Standby Service at 25°C Eurobat (20°C) : 12 years and longer, Long Life</p> <p>【 Operating Temperature Range 】 Nominal Operating Temperature : 25°C (77°F) Discharge : -20°C ~ 50°C (-4°F~122°F) Charge: 0°C ~ 40°C (32°F~104°F) Storage: -20°C ~ 40°C (-4°F~104°F)</p>	<p>【 Float Charging Voltage 】 2.21 ~ 2.25 VDC/Unit at 25°C (77°F)</p> <p>【 Equalization Charging Voltage 】 2.35 VDC/Unit at 25°C (77°F)</p> <p>【 Self Discharge 】 Less than 10% after 90 days, can be stored up to 6 months at 25°C (77°F); Fully recharging is required before usage, and charged sooner if stored at higher temperature than 25°C (77°F).</p>
--	--

Specification

Nominal Voltage	2V (single cell per unit)		
Nominal Capacity	260 Ah @10hr-rate to 1.80V per cell @25°C (77°F)		
Weight	Approx. 18.70 Kg (41.21 lbs)		
Maximum Discharge Current	1560 A (5sec)		
Internal Resistance	Approx. 0.36 mΩ		
Short Circuit Current	4872A		
Maximum Charge Current	78 A		
Terminal type	I4 thread copper alloy terminal to accept M8 bolt		
Terminal breaking Torque	414 Kgf·cm / 359 Lbf·in / 40.57 N·m		
Container Material	Flame Retardant ABS (UL 94-V0)		
Dimensions	Depth (D)	170.0±2.0 mm	6.69±0.08 inch
	Width (W)	131.0±1.5 mm	5.16±0.06 inch
	Container height (h)	331.0±2.5 mm	13.03±0.10 inch
	Overall Height (H)	339.0±2.5 mm	13.15±0.10 inch



Constant Current Discharge Characteristics Unit: A (25°C, 77°F)

F.V/Time	15MIN	30MIN	60MIN	2HR	3HR	4HR	5HR	6HR	8HR	10HR	20HR	24HR
1.60V	463	310	190	109	78.0	60.3	49.2	41.6	32.5	26.9	13.5	11.2
1.67V	415	295	185	107	77.2	59.7	48.7	41.2	32.3	26.7	13.4	11.1
1.70V	390	285	182	107	76.6	59.2	48.4	41.0	32.1	26.6	13.3	11.0
1.75V	351	259	173	104	75.3	58.2	47.6	40.4	31.7	26.2	13.1	10.9
1.80V	300	230	159	99.6	72.6	56.2	46.1	39.2	30.8	26.0	13.0	10.8
1.83V	265	211	149	95.3	69.8	54.2	44.6	38.1	30.0	24.9	12.4	10.4

Constant Power Discharge Characteristics Unit: W (25°C, 77°F)

F.V/Time	15MIN	30MIN	60MIN	2HR	3HR	4HR	5HR	6HR	8HR	10HR	20HR	24HR
1.60V	811	563	345	208	149	117	97.6	83.6	64.0	50.1	25.1	20.9
1.67V	754	541	339	206	148	117	97.0	83.1	63.6	49.8	24.9	20.7
1.70V	724	527	334	204	147	116	96.5	82.8	63.3	49.5	24.8	20.6
1.75V	662	493	320	200	144	115	95.3	81.8	62.3	48.9	24.4	20.4
1.80V	594	445	299	192	140	112	92.9	79.8	60.5	47.5	23.7	19.8
1.83V	535	415	282	184	135	108	90.4	77.7	58.6	46.0	23.0	19.2

Guang dong Xi shibi Power Co., Ltd.

Tel: +86 20 34628335

Fax: 626-453-0409

E-mail: csbusa@battery.com