



MSJ series
MSJ 300

2V 305Ah



Valve Regulated Lead Acid Battery

Maintenance-Free Sealed Lead Acid Battery.
Absorbent Glass Mat (AGM) technology for efficient gas recombination of up to 99%.

Design for Standby Power Applications

【 Design Life 】

Up to 20 Years in Standby Service at 25°C
Eurobat (20°C) : 12 years and longer, Long Life

【 Operating Temperature Range 】

Nominal Operating Temperature : 25°C (77°F)
Discharge : -20°C ~ 50°C (-4°F~122°F)
Charge: 0°C ~ 40°C (32°F~104°F)
Storage: -20°C ~ 40°C (-4°F~104°F)

【 Float Charging Voltage 】

2.21 ~ 2.25 VDC/Unit at 25°C (77°F)

【 Equalization Charging Voltage 】

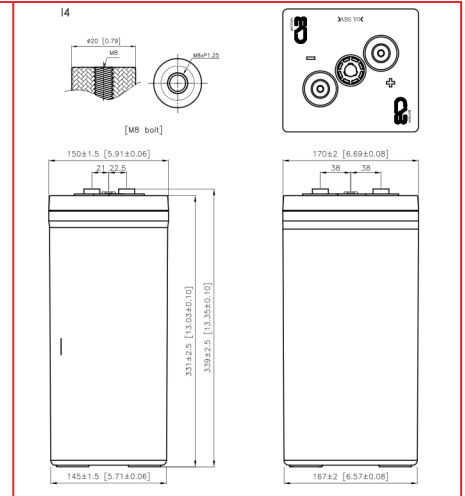
2.35 VDC/Unit at 25°C (77°F)

【 Self Discharge 】

Less than 10% after 90 days, can be stored up to 6 months at 25°C (77°F);
Fully recharging is required before usage, and charged sooner if stored at higher temperature than 25°C (77°F).

Specification

Nominal Voltage	2V (single cell per unit)	
Nominal Capacity	305 Ah @10hr-rate to 1.80V per cell @25°C (77°F)	
Weight	Approx. 21.80 Kg (48.05 lbs)	
Maximum Discharge Current	1800 A (5sec)	
Internal Resistance	Approx. 0.33 mΩ	
Short Circuit Current	5075A	
Maximum Charge Current	90 A	
Terminal type	I4 thread copper alloy terminal to accept M8 bolt	
Terminal breaking Torque	414 Kgf·cm / 359 Lbf·in / 40.57 N·m	
Container Material	Flame Retardant ABS (UL 94-V0)	
Dimensions	Depth (D)	170.0±2.0 mm 6.69±0.08 inch
	Width (W)	150.0±1.5 mm 5.91±0.06 inch
	Container height (h)	331.0±2.5 mm 13.03±0.10 inch
	Overall Height (H)	339.0±2.5 mm 13.15±0.10 inch



Constant Current Discharge Characteristics Unit: A (25°C, 77°F)

F.V/Time	15MIN	30MIN	60MIN	2HR	3HR	4HR	5HR	6HR	8HR	10HR	20HR	24HR
1.60V	556	372	228	131	93.6	72.4	59.0	50.0	39.1	32.3	16.2	13.5
1.67V	498	354	222	129	92.6	71.6	58.4	49.5	38.7	32.1	16.0	13.4
1.70V	468	342	218	128	92.0	71.1	58.1	49.2	38.5	31.9	16.0	13.3
1.75V	421	311	207	125	90.3	69.8	57.1	48.4	38.0	31.5	15.7	13.1
1.80V	360	276	191	120	87.1	67.4	55.3	47.1	37.0	30.7	15.3	12.8
1.83V	318	253	179	114	83.7	65.0	53.5	45.7	35.9	29.8	14.9	12.4

Constant Power Discharge Characteristics Unit: W (25°C, 77°F)

F.V/Time	15MIN	30MIN	60MIN	2HR	3HR	4HR	5HR	6HR	8HR	10HR	20HR	24HR
1.60V	974	675	414	249	179	141	117	100	76.9	60.2	30.1	25.1
1.67V	905	649	406	247	177	140	116	99.7	76.3	59.7	29.9	24.9
1.70V	869	633	400	245	176	139	116	99.3	75.9	59.5	29.7	24.8
1.75V	794	591	384	240	173	137	114	98.1	74.8	58.6	29.3	24.4
1.80V	712	534	358	231	168	134	112	95.7	72.5	57.0	28.5	23.7
1.83V	642	498	338	221	162	130	108	93.3	70.3	55.2	27.6	23.0

Guang dong Xi shibi Power Co ., Ltd.

Tel: +86 20 34628335

Fax: 626-453-0409

E-mail:csbusa@battery.com

BATTERY
CSB USA
<http://www.battery-csb.com>