



MSJ series
MSJ 400

2V 439Ah



Valve Regulated Lead Acid Battery

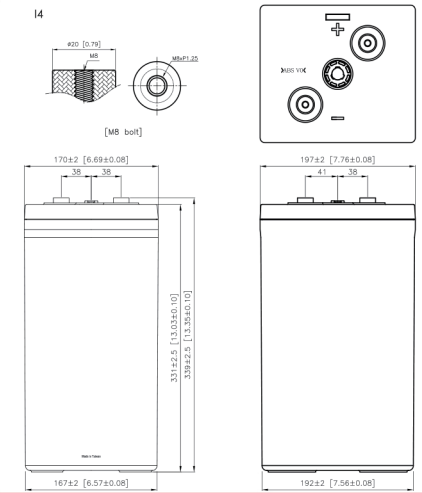
Maintenance-Free Sealed Lead Acid Battery.
Absorbent Glass Mat (AGM) technology for efficient gas recombination of up to 99%.

Design for Standby Power Applications

<p>【Design Life】 Up to 20 Years in Standby Service at 25°C Eurobat (20°C) : 12 years and longer, Long Life</p> <p>【 Operating Temperature Range】 Nominal Operating Temperature : 25°C (77°F) Discharge : -20°C ~ 50°C (-4°F~122°F) Charge: 0°C ~ 40°C (32°F~104°F) Storage: -20°C ~ 40°C (-4°F~104°F)</p>	<p>【 Float Charging Voltage】 2.21 ~ 2.25 VDC/Unit at 25°C (77°F)</p> <p>【Equalization Charging Voltage】 2.35 VDC/Unit at 25°C (77°F)</p> <p>【 Self Discharge】 Less than 10% after 90 days, can be stored up to 6 months at 25°C (77°F); Fully recharging is required before usage, and charged sooner if stored at higher temperature than 25°C (77°F).</p>
---	--

Specification

Nominal Voltage	2V (single cell per unit)	
Nominal Capacity	439 Ah @10hr-rate to 1.80V per cell @25°C (77°F)	
Weight	Approx. 28.60 Kg (63.03 lbs)	
Maximum Discharge Current	2400 A (5sec)	
Internal Resistance	Approx. 0.30 mΩ	
Short Circuit Current	6065A	
Maximum Charge Current	120 A	
Terminal type	I4 thread copper alloy terminal to accept M8 bolt	
Terminal breaking Torque	414 Kgf-cm / 359 Lbf-in / 40.57 N-m	
Container Material	Flame Retardant ABS (UL 94-V0)	
Dimensions	Depth (D)	197.0±2.0 mm 7.76±0.08 inch
	Width (W)	170.0±2.0 mm 6.69±0.08 inch
	Container height (h)	331.0±2.5 mm 13.03±0.10 inch
	Overall Height (H)	339.0±2.5 mm 13.15±0.10 inch



Constant Current Discharge Characteristics Unit: A (25°C, 77°F)

F.V/Time	15MIN	30MIN	60MIN	2HR	3HR	4HR	5HR	6HR	8HR	10HR	20HR	24HR
1.60V	711	544	316	180	129	99.6	81.2	68.7	54.8	46.1	23.1	19.2
1.67V	637	517	308	178	128	98.6	80.4	68.0	54.4	45.8	22.9	19.1
1.70V	599	500	302	177	127	97.9	79.9	67.6	54.1	45.6	22.8	19.0
1.75V	539	455	287	173	125	96.1	78.6	66.6	53.4	45.0	22.5	18.7
1.80V	461	403	265	165	120	92.8	76.1	64.9	52.1	43.9	22.0	18.3
1.83V	407	370	248	158	115	89.5	73.6	63.2	50.9	42.9	21.5	17.9

Constant Power Discharge Characteristics Unit: W (25°C, 77°F)

F.V/Time	15MIN	30MIN	60MIN	2HR	3HR	4HR	5HR	6HR	8HR	10HR	20HR	24HR
1.60V	1183	938	574	344	246	194	161	138	108	85.8	42.9	35.8
1.67V	1100	902	563	341	244	193	160	137	107	85.3	42.6	35.5
1.70V	1056	879	555	339	243	192	159	137	107	85.0	42.5	35.4
1.75V	965	821	532	332	239	189	157	135	105	83.8	41.9	34.9
1.80V	866	742	496	319	231	184	154	132	102	81.6	40.8	34.0
1.83V	780	692	468	306	224	179	149	129	99.5	79.5	39.7	33.1

Guang dong Xi shibi Power Co ., Ltd.

Tel: +86 20 34628335

Fax: 626-453-0409

E-mail:csbusa@battery.com