



## Valve Regulated Lead Acid Battery

Maintenance-Free Sealed Lead Acid Battery.

Absorbent Glass Mat (AGM) technology for efficient gas recombination of up to 99%.

### General Design for Standby Power Applications

#### 【Design Life】

Up to 20 Years in Standby Service at 25°C  
Eurobat (20°C) : >12 YEARS VERY LONG LIFE

#### 【Operating Temperature Range】

Nominal Operating Temperature: 25°C (77°F)  
Discharge: -20°C ~ 50°C (-4°F ~ 122°F)  
Charge: 0°C ~ 40°C (32°F ~ 104°F)  
Storage: -20°C ~ 40°C (-4°F ~ 104°F)

#### 【Float Charging Voltage】

2.21 ~ 2.25 VDC/Unit at 25°C (77°F)

#### 【Equalization Charging Voltage】

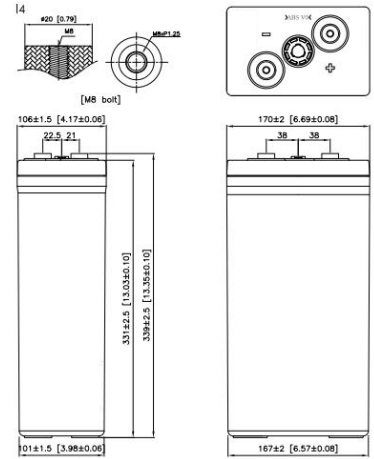
2.35 VDC/Unit at 25°C (77°F)

#### 【Self Discharge】

Less than 10% after 90 days, can be stored up to 6 months at 25°C (77°F); Fully recharging is required before usage, and charged sooner if stored at higher temperature than 25°C (77°F).

## Specification

Nominal Voltage	2V (single cell per unit)	
Nominal Capacity	150Ah@10HR-rate to 1.80V per cell @25°C (77°F)	
Weight	Approx. 12.80 Kg (28.81 lbs)	
Maximum Discharge Current	900A (5sec)	
Internal Resistance	Approx. 0.54 mΩ	
Short Circuit Current	2848A	
Maximum Charge Current	45.0A	
Terminal types	I4 thread copper alloy terminal to accept M8bolt	
Terminal tightening torque	126±25 Kgf·cm / 109±22 Lbf·in / 12.3±2.5 N·m	
Container Material	Flame Retardant ABS (UL 94-V0)	
Dimensions	Length (L)	170.0±2.0 mm 6.69±0.08inch
	Width (W)	106.0±1.5 mm 4.17±0.06inch
	Container Height (h)	331.0±2.5 mm 13.03±0.10inch
	Overall Height (H)	339.0±2.5 mm 13.15±0.10inch



### Constant Current Discharge Characteristics Unit: A (25°C, 77°F)

F.V/Time	15MIN	30MIN	60MIN	2HR	3HR	4HR	5HR	6HR	8HR	10HR	20HR	24HR
1.60V	286	192	117	67.2	48.2	37.3	30.4	25.7	20.1	16.6	8.32	6.93
1.67V	256	182	114	66.4	47.7	36.9	30.1	25.5	19.9	16.5	8.26	6.88
1.70V	241	176	112	65.9	47.4	36.6	29.9	25.3	19.8	16.4	8.22	6.85
1.75V	217	160	107	64.4	46.5	36.0	29.4	24.9	19.6	16.2	8.11	6.76
1.80V	185	142	98.4	61.6	44.9	34.7	28.5	24.3	19.1	15.8	7.90	6.58
1.83V	164	130	92.1	58.9	43.1	33.5	27.5	23.5	18.5	15.4	7.68	6.40

### Constant Power Discharge Characteristics Unit: W (25°C, 77°F)

F.V/Time	15MIN	30MIN	60MIN	2HR	3HR	4HR	5HR	6HR	8HR	10HR	20HR	24HR
1.60V	501	348	213	128	92.0	72.6	60.3	51.7	39.6	31.0	15.5	12.9
1.67V	466	334	209	127	91.2	72.1	59.9	51.4	39.3	30.8	15.4	12.8
1.70V	448	326	206	126	90.7	71.7	59.7	51.2	39.1	30.6	15.3	12.7
1.75V	409	305	198	124	89.2	70.8	58.9	50.5	38.5	30.2	15.1	12.6
1.80V	367	275	185	119	86.4	68.9	57.4	49.3	37.4	29.3	14.7	12.2
1.83V	331	256	174	114	83.5	67.0	55.9	48.0	36.2	28.4	14.2	11.8

Please refer to the official site for the latest rating confirmation.

**Guang dong Xi shi Power Co.,Ltd**

Tel: (总机) 020-84854238 Fax: 020-84854238

E-mail: csbusa@battery.com