



Valve Regulated Lead Acid Battery

Maintenance-Free Sealed Lead Acid Battery.

Absorbent Glass Mat (AGM) technology for efficient gas recombination of up to 99%.

General Design for Standby Power Applications

【Design Life】

Up to 15 Years in Standby Service at 25°C
Eurobat (20°C) : >12 YEARS VERY LONG LIFE

【Operating Temperature Range】

Nominal Operating Temperature: 25°C (77°F)
Discharge: -15°C ~ 50°C (5°F ~ 122°F)
Charge: -15°C ~ 40°C (5°F ~ 104°F)
Storage: -15°C ~ 40°C (-4°F ~ 104°F)

【Float Charging Voltage】

2.21 ~ 2.25 VDC/Unit at 25°C (77°F)

【Equalization Charging Voltage】

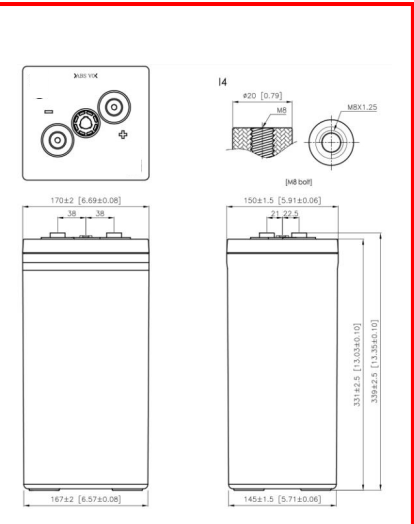
2.35 VDC/Unit at 25°C (77°F)

【Self Discharge】

Less than 10% after 90 days, can be stored up to 6 months at 25°C (77°F); Fully recharging is required before usage, and charged sooner if stored at higher temperature than 25°C (77°F).

Specification

Nominal Voltage	2V (single cell per unit)	
Nominal Capacity	300Ah@10HR-rate to 1.80V per cell @25°C (77°F)	
Weight	Approx. 18.20 Kg (40.11 lbs)	
Maximum Discharge Current	1800A (5sec)	
Internal Resistance	Approx. 0.54 mΩ	
Short Circuit Current	3600A	
Maximum Charge Current	90.0A	
Terminal types	I4 thread copper alloy terminal to accept M8 bolt	
Terminal tightening torque	414 Kgf·cm / 359 Lbf·in / 40.57 N·m	
Container Material	Flame Retardant ABS (UL 94-V0)	
Dimensions	Length (L)	170.0±2.0 mm 6.69±0.08inch
	Width (W)	150.0±1.5 mm 5.91±0.06inch
	Container Height (h)	331.0±2.5 mm 13.03±0.10inch
	Overall Height (H)	339.0±2.5 mm 13.15±0.10inch



Constant Current Discharge Characteristics Unit: A (25°C, 77°F)

F.V/Time	15MIN	30MIN	60MIN	2HR	3HR	4HR	5HR	6HR	8HR	10HR	20HR	24HR
1.60V	427	294	194	115	86.3	68.3	57.8	50.3	39.8	33.8	16.9	14.1
1.67V	389	280	185	111	81.8	66.0	55.5	48.0	39.0	33.0	16.5	13.8
1.70V	362	273	182	109	81.0	65.3	54.8	47.3	38.3	32.3	16.2	13.5
1.75V	316	252	168	103	75.8	61.7	51.8	45.0	36.8	30.8	15.4	12.8
1.80V	274	220	158	99.0	72.8	59.3	50.3	44.3	36.0	30.0	15.0	12.5
1.83V	238	195	146	93.0	69.8	56.3	48.0	42.0	34.2	29.3	14.7	12.2

Constant Power Discharge Characteristics Unit: W (25°C, 77°F)

F.V/Time	15MIN	30MIN	60MIN	2HR	3HR	4HR	5HR	6HR	8HR	10HR	20HR	24HR
1.60V	700	517	346	208	156	125	106	93.0	75.0	63.0	31.5	26.3
1.67V	640	494	345	206	154	124	105	92.3	74.3	62.3	31.2	26.0
1.70V	610	479	334	202	15	123	104	90.8	72.8	61.5	30.8	25.6
1.75V	552	447	312	193	145	118	100	87.0	71.3	60.0	30.0	25.0
1.80V	504	400	294	185	139	113	96.8	84.8	69.0	59.3	29.7	24.7
1.83V	429	347	274	174	133	108	92.3	81.0	66.0	57.0	28.5	23.8

Please refer to the official site for the latest rating confirmation.

Guang dong Xi shi Power Co.,Ltd

Tel: (总机) 020-84854238 Fax: 020-84854238

E-mail: csbusa@battery.com